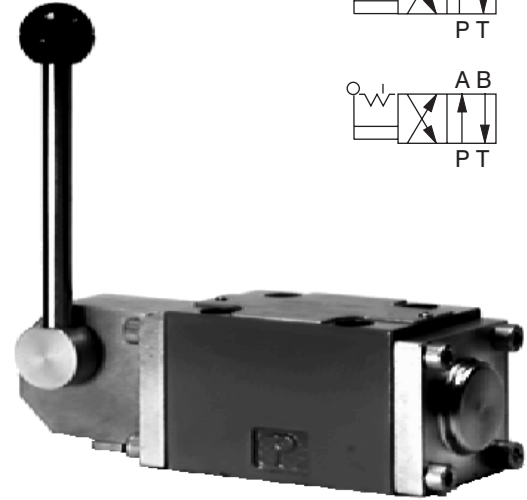
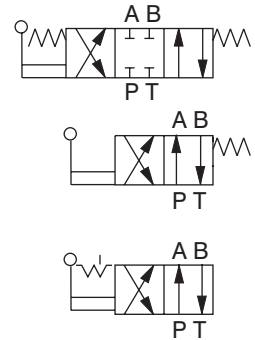


- 4/3 and 4/2 way spool type directional control valves
- Hand-lever operated
- Actuating section can be rotated in four positions 90° apart
- Installation dimensions to DIN 24 340 / ISO 4401 / CETOP RP121-H

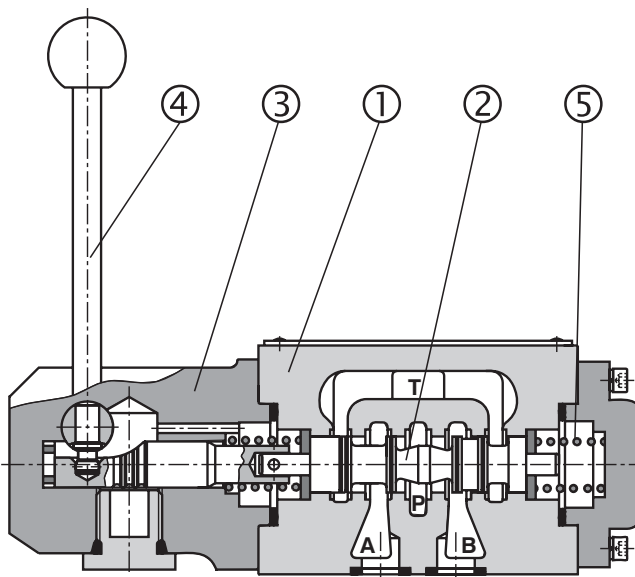


Functional Description

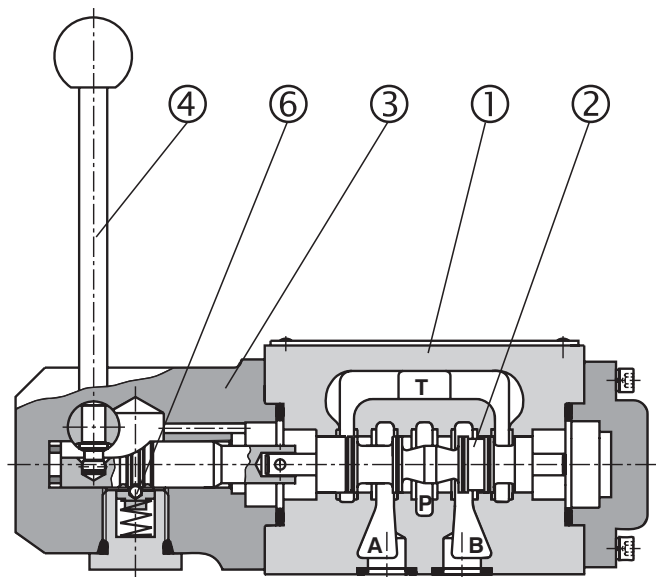
The hand operated directional control valves are used mainly to control start, stop and direction of fluid. The valves consist of housing (1) with control spool (2) and the actuating section (3). The actuating section consists either of the hand lever (4) and of one or two return spring (5), or of the hand lever (4) and the detent assembly (6). The detent assembly holds the spool in its last shifted position.

The directional control valves are being manufactured as two-position and three-position valves (see table with functional symbols).

The valve housing (1) is phosphate coated, the components of the actuating section (3) are zinc coated.



Type with return springs



Type with detent assembly

Ordering Code

RPR3-06 -

Hand Operated Directional Control Valve

Valve size

Number of valve positions

two positions
three positions

2
3

no designation
V

Seals

NBR
FPM (Viton)

Spool symbols

see the table Spool symbols

Technical Data

Valve size	mm	06
Maximum flow	L/min	80
Maximum operating pressure at ports P, A, B	bar	320
Maximum operating pressure at port T	bar	100
Pressure drop	bar	see Δp -Q characteristics
Hydraulic fluid	Hydraulic oils of power classes (HL, HLP) to DIN 51524	
Fluid temperature range - NBR	°C	-30 ... +100
Fluid temperature range - Viton	°C	-20 ... +120
Viscosity range	mm ² /s	20 ... 400
Maximum degree of fluid contamination	Class 21/18/15 to ISO 4406 (1999)	
Operating force on lever	N	< 50
Service life	cycles	10 ⁶
Weight	kg	1.6
Mounting position	optional	

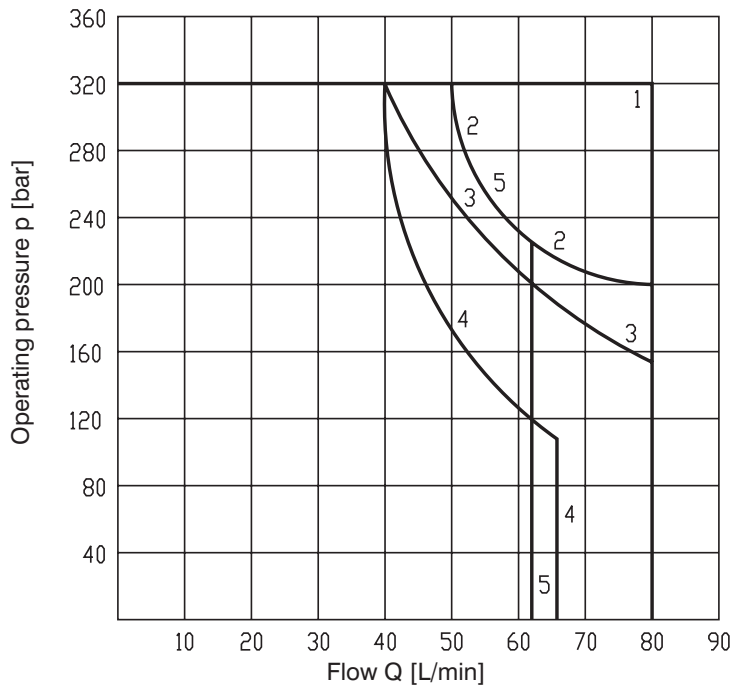
Spool Symbols

Type	Symbol	Crossover	Type	Symbol	Crossover
Z11			Y11		
Z15			Y15		
C11			B11		
C15			B15		
H11			R11		
H15			J15		
P11			A51		
P15			J75		

p-Q Characteristics

Measured at $v = 32 \text{ mm}^2/\text{s}$

Operating limits for maximum hydraulic power transferred by the directional valve.

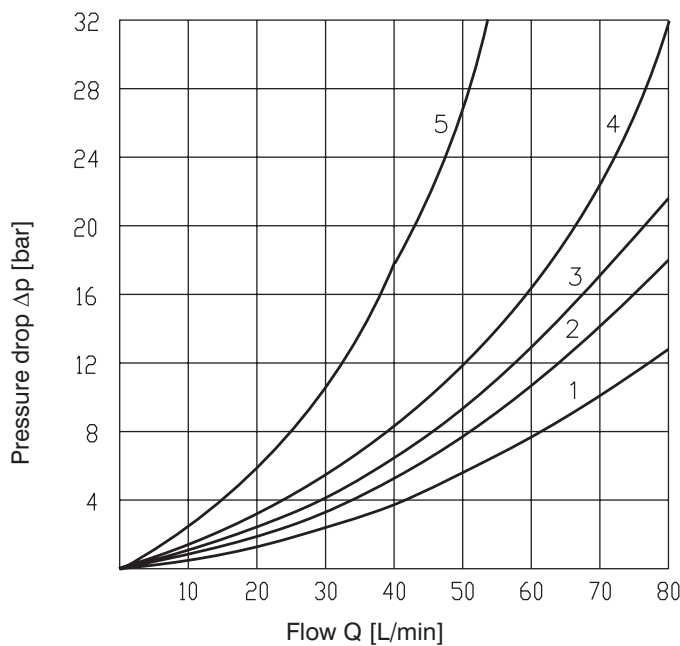


Z11	1	Z15	1
C11	4	C15	1
H11	3	H15	1
P11	1	P15	1
Y11	2	Y15	1
B11	5	B15	1
R11	1	J15	1
A51	3	J75	1

Δp -Q Characteristics

Measured at $v = 32 \text{ mm}^2/\text{s}$

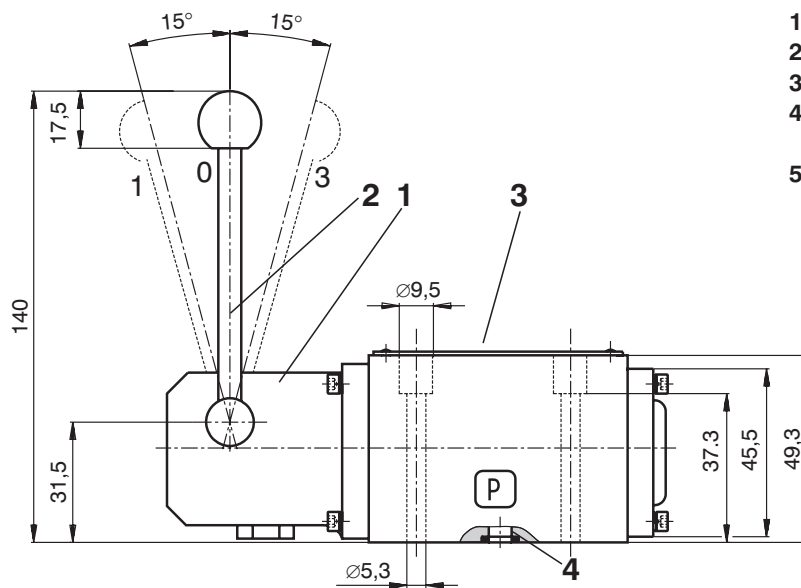
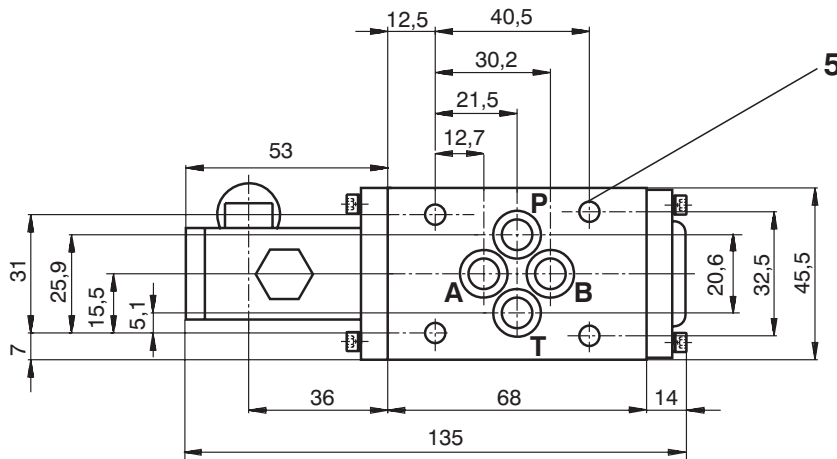
Pressure drop Δp related to flow rate.



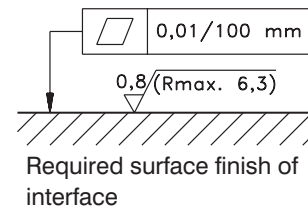
	P-A	P-B	A-T	B-T	P-T
Z11, Z15	2	2	3	3	
C11, C15	3	3	4	3	5
H11, H15	2	2	2	2	3
P11, P15	1	1	3	3	
Y11, Y15	2	2	2	2	
B11, B15	2	2	3	3	
R11, J15	2	2	3	3	
A51, J75	2	2			

Valve Dimensions

Dimensions in millimeters



- 1 Actuating section
- 2 Hand lever
- 3 Name plate
- 4 Square Ring (4 pcs.) 9.25 x 1.68 supplied with valve
- 5 4 mounting holes



Spare Parts

Seal kit

Type	Dimensions, quantity	Ordering number
O-ring - NBR90	22 x 2 (2 pcs.)	483-9000
Square ring - NBR70	9.25 x 1.68 (4 pcs.)	
O-ring - NBR70	11 x 1.5 (2 pcs.)	
O-ring - NBR70	11.3 x 2.4 (1 pc.)	

Bolt kit (for Studs see HA 0030)

Dimensions, quantity	Bolt torque	Ordering number
M5 x 45 DIN 912-10.9 (4 pcs.)	8.9 Nm	484-9958

Caution!

- Directional valves with other functional symbols as those shown in the table above can be delivered on request.
- The packing foil is recyclable.
- The protective plate can be returned to manufacturer.
- Mounting bolts M5x45 DIN 912-10.9 or studs must be ordered separately. Tightening torque is 8.9 Nm.
- The technical information regarding the product presented in this catalogue is for descriptive purposes only. It should not be construed in any case as a guaranteed representation of the product properties in the sense of the law.

ARGO-HYTOS s.r.o. CZ - 543 15 Vrchlabí
 Tel.: +420-499-403111, Fax: +420-499-403421
 E-mail: sales.cz@argo-hytos.com
 www.argo-hytos.com